

10/100/1000 BASE-T MAGNETICS MODULES

MODEL NO.: IH-002

FEATURE:*

RoHS Compliant

RoHS peak solder rating 260°C/3~5SEC

Designed to meet IR requirement

SPECIFICATIONS: AT 25°C

OPERATION TEMP: -40°C~85°C

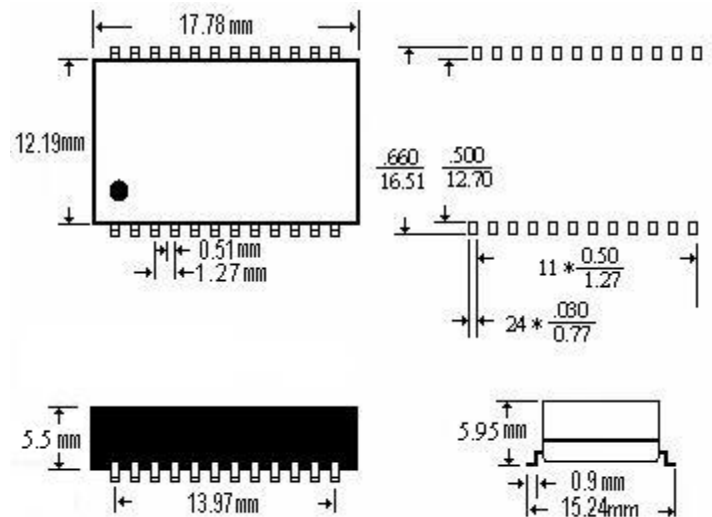
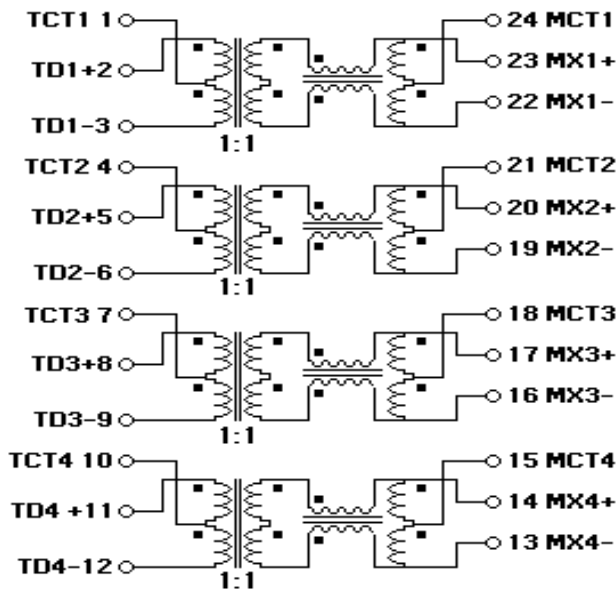
OCL: 350 uH Min @100KHz,100mV

Part Number	Insertion Loss (dB MAX)	Return Loss (dB Min @100Ω)					Differential to Common Mode Rejection (dB MIN)			Cross talk (dB MIN)			Hi pot (Vrms MIN)
		1-30 MHz	40	50	60-80 MHz	100 MHz	30	60	100 MHz	30	60	100 MHz	
IH-002	1.0	-18	-14.4	-13.1	-12	-10	-43	-37	-33	-45	-40	-35	1500

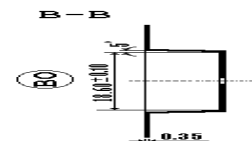
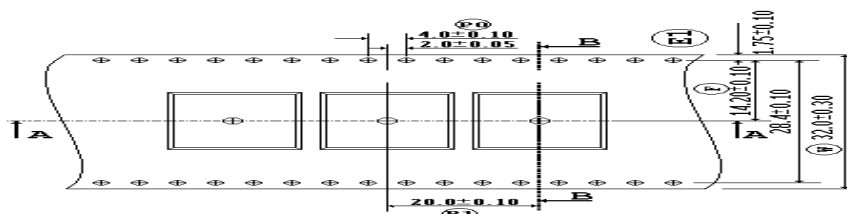
SCHEMATICS:

DIMENSION : mm

TOLERANCE:±0.25



Packing:



W: 32.0±0.30
L: 20.0±0.10
H: 16.05±0.10
B: 18.60±0.10
K: 6.22±0.10

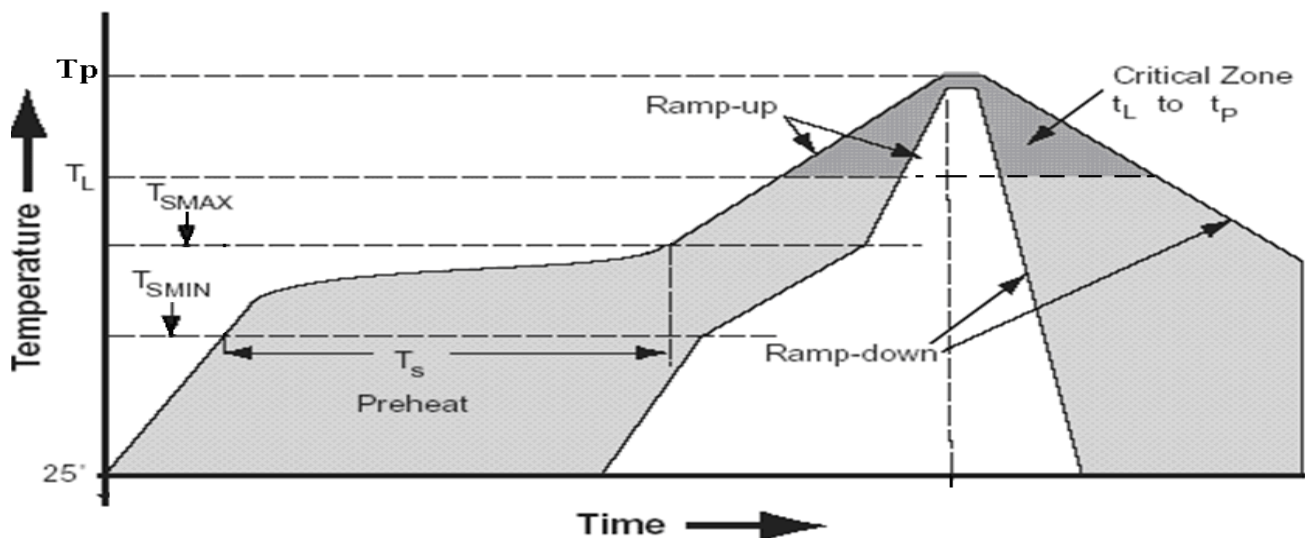
MODEL NO.: IH-002

Solder Reflow profile for Lead-Free packages.
Package Peak Reflow Temperatures

Classification Reflow Profiles

Profile Feature	Lead-Free Assembly	
Average ramp-up rate(T_L to T_P)	3°C / Second Max.	
Preheat Temperature Min.(T_s min.) Temperature Max.(T_s max.) Time (min to max) (T_s)	150 °C 200 °C 60-180 sec	
T_s max. to T_L Ramp-up Rate	3°C / Second Max.	
Time maintained above Temperature (T_L) Time (t_L)	217 °C 60-150 sec	
Peak Tempature (T_p) Time within 5 °C of actual peak Temp.	260 +0 / -5 °C 3 to 5 Sec	250 +0 / -5 °C 20 to 40 Sec
Ramp-down	6°C / Second Max.	
Time 25 °C to Peak Temperature	8 minutes Max.	

Profile



MODEL NO. : IH-002

PACKING

1. Tape & Reel : 500pcs / Reel , 2500pcs / Carton
2. Dry Pack : 1pcs
Product Description:(5g Silica Gel Desiccant)
PH: 4-8
Package Materials: Paper(Length 6.5±1cm , Width 5±1cm)
3. Reel Packed By Vacuum
4. Seal Per Jedec

