



NO:RD-50PT1051AX
DATE:2007/11/06 R (REV:A2)

10/100 BASE-TX TRANSFORMERS FOR AUTO MDI/MDIX APPLICATIONS MODEL NO.: HK-068D

FEATURE:

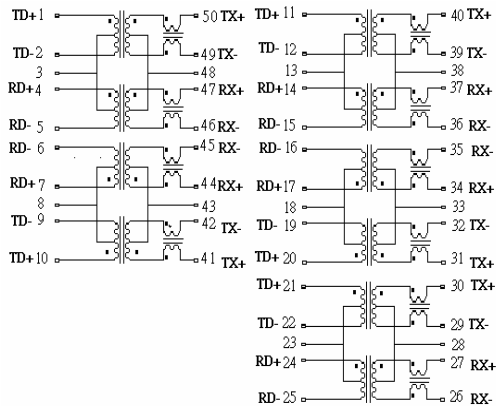
RoHS Compliant

SPECIFICATIONS:AT 25°C

TURNS RATIO RX : 1CT : 1CT
 TURNS RATIO TX : 1 CT: 1CT
 OCL : 350 uH 8mA
 DCR : 0.9 Ω
 LL : 0.5 uH MAX
 Cw/w : 56 pF MAX
 Rise Time : 3.0 ns MAX
 HIPOT : 1500Vrms
 OPERATION TEMP. -40°C ~ 85°C

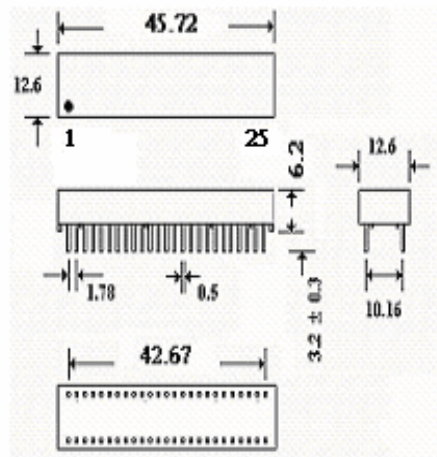
Parts Number	Insertion Loss (dB MAX) 0.1-100MHz	Return Loss (dB MIN)				Cross talk (dB MIN)				CMRR (dB MIN)	
		1~30	30-60	60~80	MHz	0.1	30	60	100MHZ	1~60MHz	60~100MHz
HK-068D	-1.15	-16	-12	-10		-50	-45	-40	-33	-45	-30

SCHEMATICS:



DIMENSION: mm

TOLERANCE: ±0.25





NO:RD-50PT1051AX
DATE:2007/11/06 R (REV:A2)

MODEL NO.: HK-068D

PACKING:

1. Tape: 14 pcs. per tube; 1400 pcs per carton

