



NO:RD-HD-SD- PE-69012(P)  
 DATE: 2006/06/22- S (REV:A2)

## 10/100 PC CARD LAN MAGNETICS SOLUTIONS

MODEL NO.: HD-011

### FEATURE:

RoHS Compliant

RoHS peak solder rating 260°C / 3~5 Sec

Designed to meet IR requirement

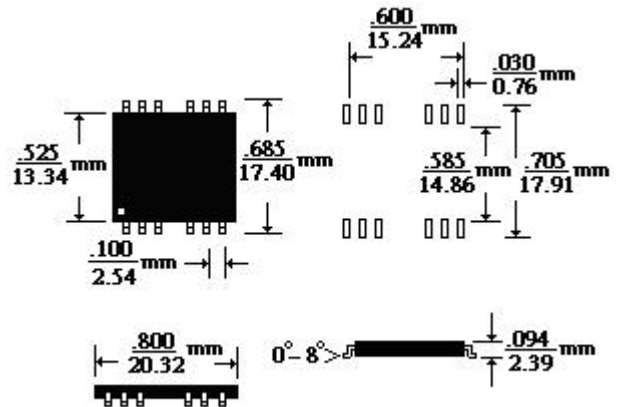
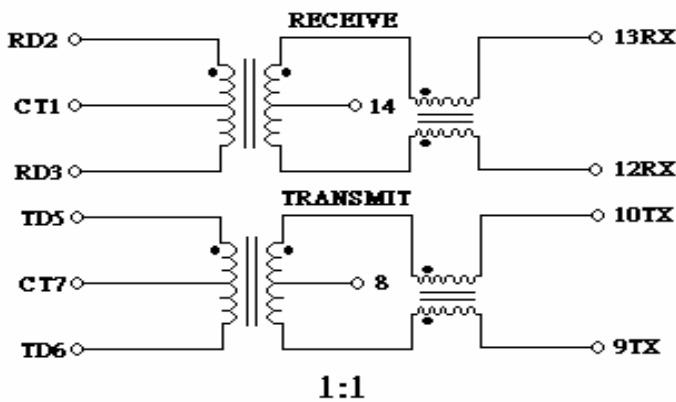
Specifications : at 25°C

OCL (uH MIN) :350

Part Number	Transformer Turns ratio (±2%)		Insertion Loss 100KHz-100MHz (dB MAX)	Return loss (dB MAX)			Crosstalk (dB MAX)			Common Mode Rejection (dB MAX)				Hipot
	Receive	Transmit		30MHz	60MHz	80MHz	30MHz	62MHz	100MHz	30MHz	50MHz	100MHz	150MHz	
HD-011	1:1	1:1	-1.3	-18	-13	-11	-40	-40	-35	-40	-35	-30	-20	1500

### SCHEMATICS:

DIMENSION:mm(INCH) TOLERANCE:±0.25(0.010)



### Profile of IR Reflow (Lead Free)

