



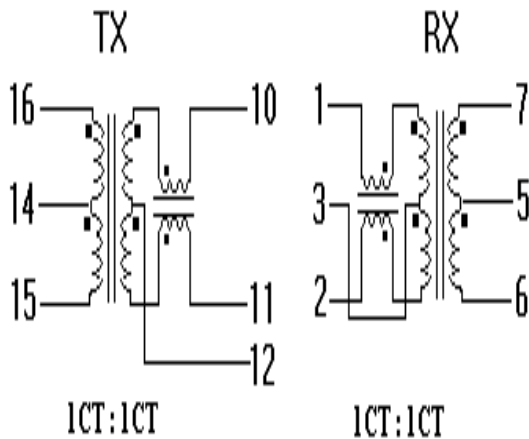
10/100 BASE TRANSFORMERS DESIGNED FOR NS CHIPSETS MODEL NO.: HA-002

FEATURES:

- DESIGNED TO MEET IR REQUIREMENT
- ENVIRONMENTAL: AT 235°C IN 1 MINUTE
- ELECTRICAL CHARACTERISTICS : AT 25°C
- OPERATING TEMP. RANGE : - 40°C ~+85°C

Part Number	Turns Ratio (±5%)		OCL (uH MIN)	LL (uH MAX)		Cww (pF MAX)		Insertion Loss (dB MIN)	Cross Talk (dB MIN)		Return Loss (dB MIN)		Common Mode Rejection (dB MIN)		HITOP (VAC)
	TX	RX		TX	RX	TX	RX		1 to 60 MHz	60 to 100 MHz	1 to 60 MHz	60 to 100 MHz	1 to 60 MHz	60 to 100 MHz	
HA-002	TX	RX	350	TX	RX	TX	RX	0.1 to 125 MHz	1 to 60 MHz	60 to 100 MHz	1 to 60 MHz	60 to 100 MHz	1 to 60 MHz	60 to 100 MHz	1500
	1CT:1CT	1CT:1CT		0.35	0.35	30	30	-1.0	-40	-38	-15	-14	-35	-32	

SCHEMATICS:



DIMENSION:

TOLERANCE: ±0.25(0.010)

