

SMD Type RJ45 Module Jack Connector MODEL NO. :RJSN-007HA2

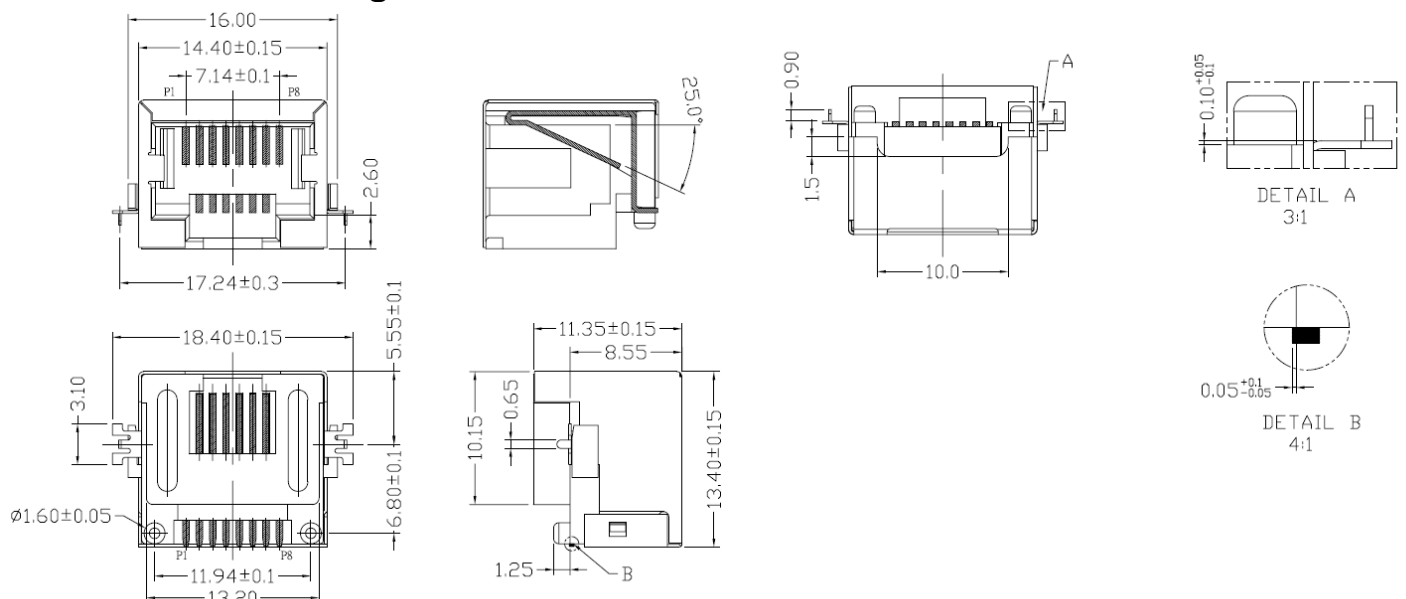
Features:

- ⊙ RoHS Compliant
- ⊙ Meets IEEE802.3 Baseline Wander Compensation specification
- ⊙ Operating Temp Range : -40°C To +70°C
- ⊙ Storage Temp Range : -50°C To +75°C
- ⊙ Voltage Rating: 150VAC RMS
- ⊙ Current Rating: 1.5A max. @25°C
- ⊙ Insulation resistance: 500MΩ min.
- ⊙ Contact resistance: 30 milliohms max.
- ⊙ Withstanding Voltage:1000 VAC
- ⊙ Operating Life: 750 cycles min.

Materials:

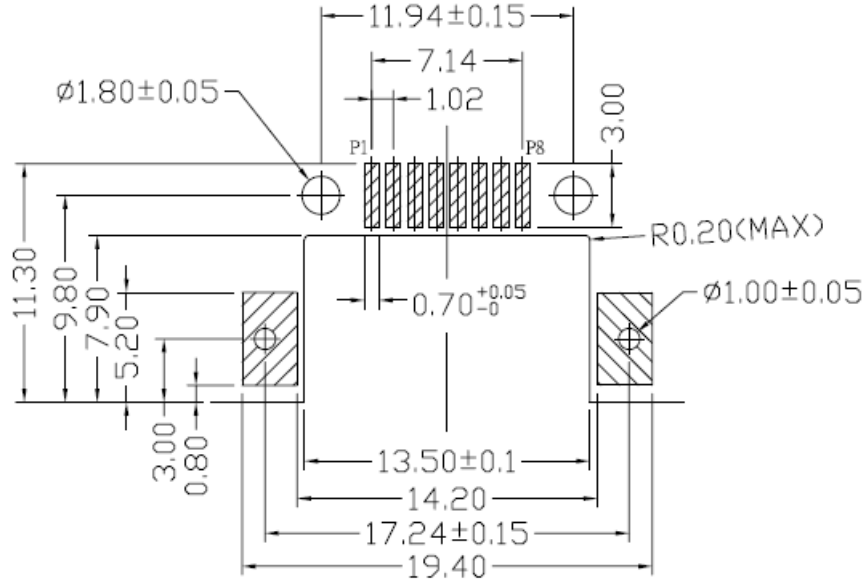
1. Connector Material :
 - Housing : High temperature thermoplastic UL94V-0,PA6T
 - Shield : 0.2mm Thickness copper alloy Ni plated
 - Contacts : T=0.35mm Phosphor bronze plated
 - Contact Plating :15u gold plating at contact area, over Ni.
2. Pin not electrically connected maybe omitted see electrical drawing for omitted pins.
3. RJ45 cavities conform to FCC rules and regulation PART 68
4. Reflow soldering temperature : 260±5°C (5~10 seconds).
5. UL No: E234095

Dimension & Marking: mm ; Tolerance :±0.25

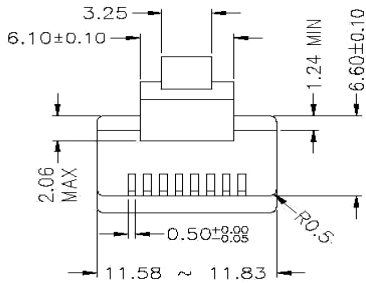


MODEL NO. :RJSN-007HA2

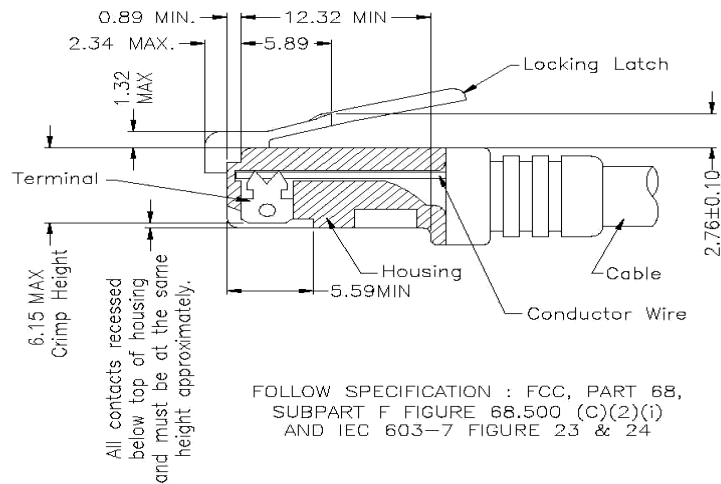
PCB Layout: mm ; Tolerance :±0.10



RJ Plug Specification :

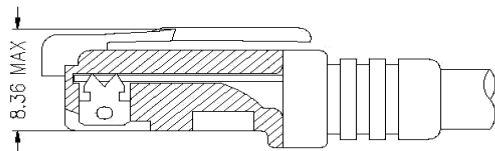


- * There must be no damage to housing or locking latch. There must be no nicks or cuts in cable.
- * Durability : 750 cycles generally



FOLLOW SPECIFICATION : FCC, PART 68, SUBPART F FIGURE 68.500 (C)(2)(i) AND IEC 603-7 FIGURE 23 & 24

STANDARD MODULAR PLUG ASSEMBLY



FOLLOW SPECIFICATION : FCC, PART 68, SUBPART F FIGURE 68.500 (C)(2)(ii)

MODEL NO. :RJSN-007HA2

Packing :

1. Package : 300 pcs / reel
2. Carton : 2100 pcs / 7 reels

Order Information:

