



NUMBER:RD-SDRJSL-002TC1
DATE :2005/09/02 I (REV:A1)

10/100 BASE-TX Filtered SMD Connector Module MODEL NO : RJSL-002TC1

Features:

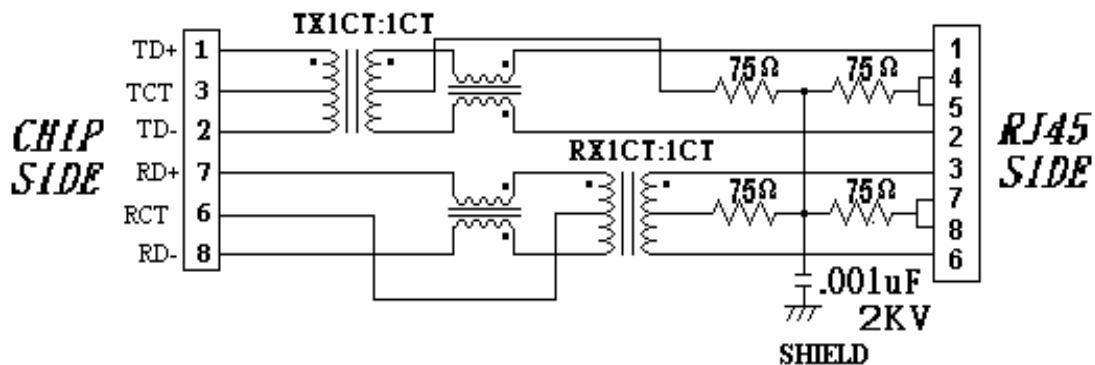
- ⊙ RoHS Compliant
- ⊙ Fully shielded magnetics protect data from internally generated digital noise
- ⊙ Reduces the overall length of the signal path for improved common mode performance
- ⊙ Implements full common mode termination scheme with used and unused twisted pairs
- ⊙ Meets IEEE802.3 Baseline Wander Compensation specification
- ⊙ Integrates high voltage capacitor to chassis ground
- ⊙ Supports all major transceivers with matched turns ratio and complete integration of specified termination
- ⊙ Design for 100base-tx transmission over UTP-5 cable
- ⊙ Operating TEMP. range: -40 to +85
- ⊙ Storage TEMP. range: -55 to +125
- ⊙ Primary OCL inductance: 350μH MIN. at 100KHz/0.1Vrms with 8mA DC bias



Typical Performance Characteristics@ 25°C

Insertion Loss (dB MAX)	Return Loss (dB Min @100±15Ω)				Differential to Common Mode Rejection (dB MIN)	Cross talk (dB MIN)					CMRR (dB MIN)	Isolation Voltage (Vrms min)
	MHz	MHz				MHz	MHz					
1~100	1~30	40	50	60~80	1~100	20	40	60	80	100	1~100	
-1.0	-16	-14	-12	-10	-33	-47	-40	-37	-35	-33	-30	

Schematic:



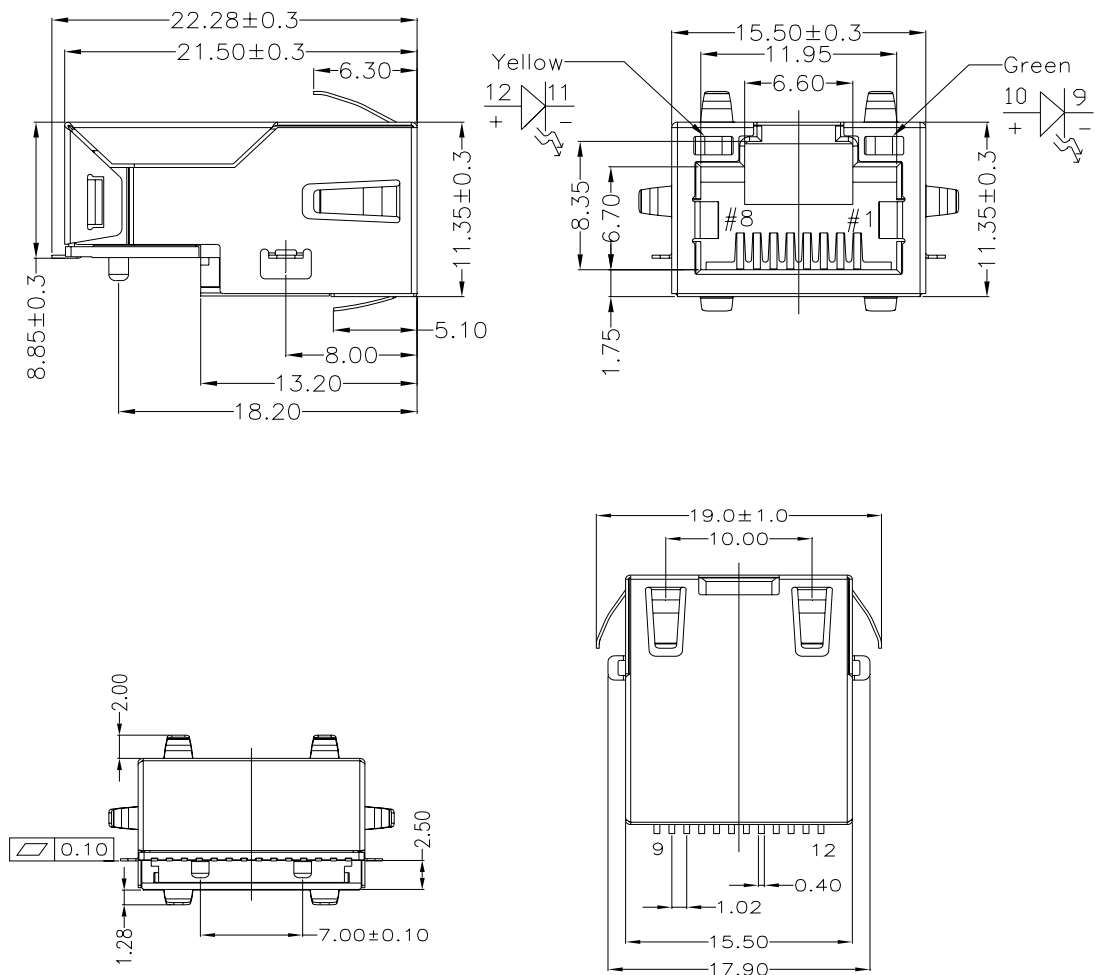


NUMBER:RD-SDRJSL-002TC1
DATE :2005/09/02 I (REV:A1)

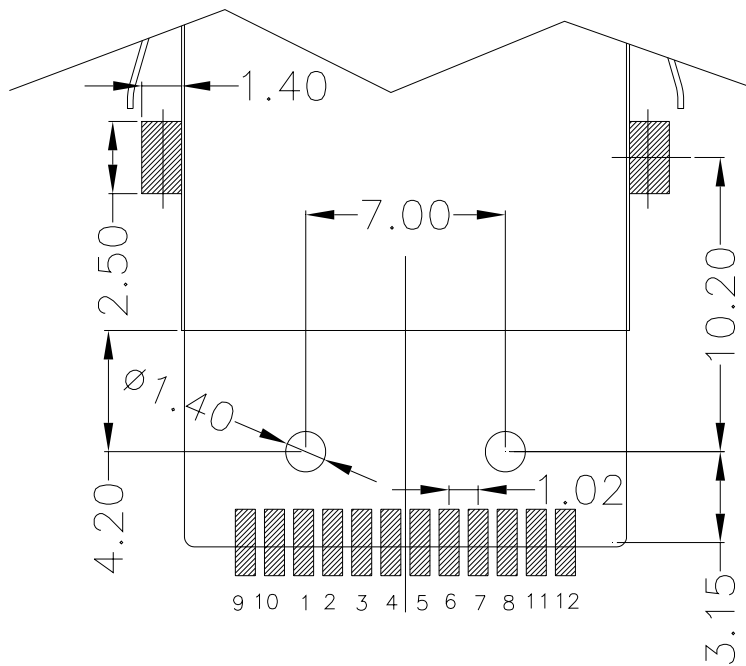
MODEL NO : RJSL-002TC1

Dimension: mm

TOLERANCE: ±0.15 (unless otherwise specified)



MODEL NO : RJSL-002TC1



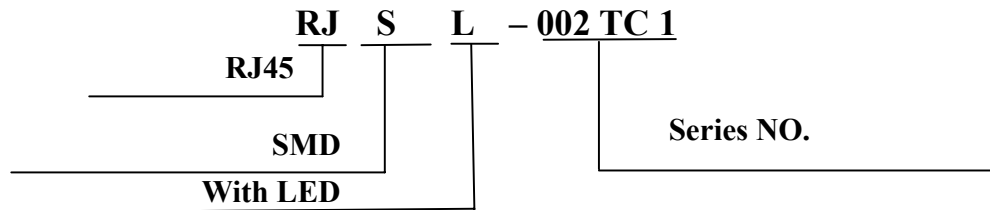
RECOMMENDED P.C.B LAYOUT
COMPONENT SIDE OF BOARD



NUMBER:RD-SDRJSL-002TC1
DATE :2005/09/02 I (REV:A1)

MODEL NO : RJSL-002TC1

Ordering Information



Requirements :

1. Design and Construction

Product shall be of design, construction and physical dimensions specified on applicable product drawing.

2. Materials and Finish

A. Contact:

RJ Contact : Phosphor Bronze, Thickness=0.30mm

Finish : Contact Area :5 μ "min. Gold over 50 μ "min. Nickel

RJ Joint Contact : Brass, Thickness=0.20mm

Finish : 80 μ "min. Sn over 50 μ "min. Nickel

LED Joint Contact : Brass, Thickness=0.20mm

Finish : 80 μ "min. Sn over 50 μ "min. Nickel

B. Plastic Part :

(1) Set Housing : Thermoplastic, PA-9T, Black

UL FILE NO. : E59481

Manufacturer : Kuraray CO.,LTD.

Grade : 4830G

Flame Class : UL 94V-0

(2) Insert : Thermoplastic, PA-9T, Black

UL FILE NO. : E59481

Manufacturer : Kuraray CO.,LTD.

Grade : 4830G

Flame Class : UL 94V-0

(3) Spacer : Thermoplastic, PA-9T, Black

UL FILE NO. : E59481

Manufacturer : Kuraray CO.,LTD.

Grade : 4830G

Flame Class : UL 94V-0



NUMBER:RD-SDRJSL-002TC1
DATE :2005/09/02 I (REV:A1)

MODEL NO : RJSL-002TC1

C. Shield Material :

Cartridge t=0.25mm

10 μ "-20 μ " Thick Nickel over Brass

D. LED Lamp

(a) Lens Color : Transparent with color

(b) Emitted Color : Green & Yellow

(c) View Angle : 65°

(d) Wave Length : Green 565nm ; Yellow 585nm

(e) Recommended operation current (IF) : 20 mA

3. Ratings

(1) Voltage rating : 125 VAC

(2) Current rating : 1.5A

Durability :

(1) 1000 cycles with no function damage for RJ-45 . Abnormalities shall be present after the test.

(2) Low Level Contact Resistance : $\Delta R=30m\Omega$ maximum (final)

(3) The sample should be mounted in the tester and fully mated and unmated 500 times per hour at the rate of 25mm/min. EIA-364-09C.



NUMBER:RD-SDRJSL-002TC1
DATE :2005/09/02 I (REV:A1)

MODEL NO : RJSL-002TC1

PACKING :

1. Unit weight : 4.5 grams
2. Tape & Reel : 150pcs / Reel , 750pcs / Carton
3. Dry Pack : 1pcs

Product Description:(5g Silica Gel Desiccant)

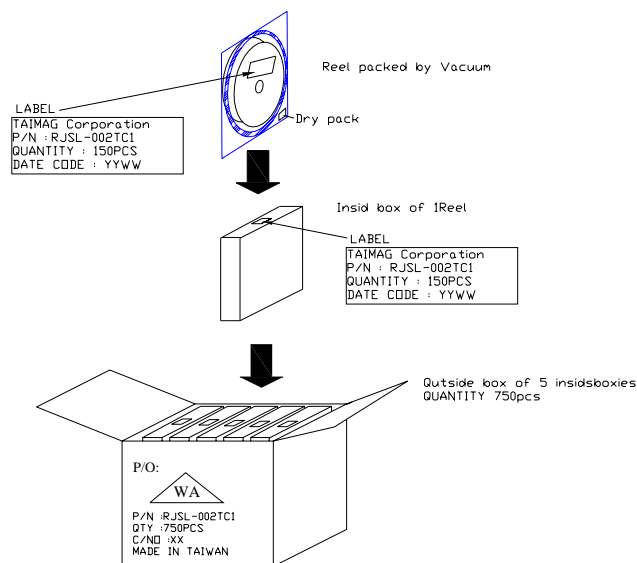
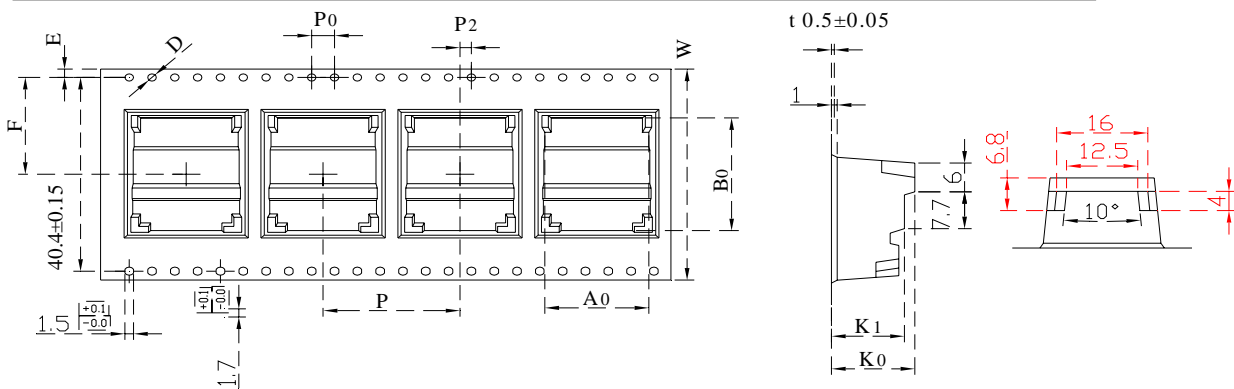
PH: 4-8

Package Materials: Paper(Length 6.5 ± 1 cm , Width 5 ± 1 cm)

4. Reel Packed By Vacuum

5. Seal Per Jedec

ITEM	W	A0	B0	K0	K1	P	E	F	D	D1	P0	P2
DIM	44 ^{+0.3} _{-0.3}	8.25 ^{+0.1} _{-0.1}	23.5 ^{+0.1} _{-0.1}	14.6 ^{+0.1} _{-0.1}	12.8 ^{+0.1} _{-0.1}	24 ^{+0.1} _{-0.1}	1.75 ^{+0.1} _{-0.1}	20.2 ^{+0.1} _{-0.1}	1.5 ^{+0.1} _{-0.0}	0.0 ^{+0.25} _{-0.0}	4.0 ^{+0.1} _{-0.1}	2.0 ^{+0.1} _{-0.1}





NUMBER:RD-SDRJSL-002TC1
DATE :2005/09/02 I (REV:A1)

MODEL NO : RJSL-002TC1

REV.	Revision Description	DATE
A1	First Release	2005/09/02