

Single 10/100 BASE-TX Filtered Connector Integrated LED (PoE) MODEL NO. : RJPLB-203CKC1

Feature :

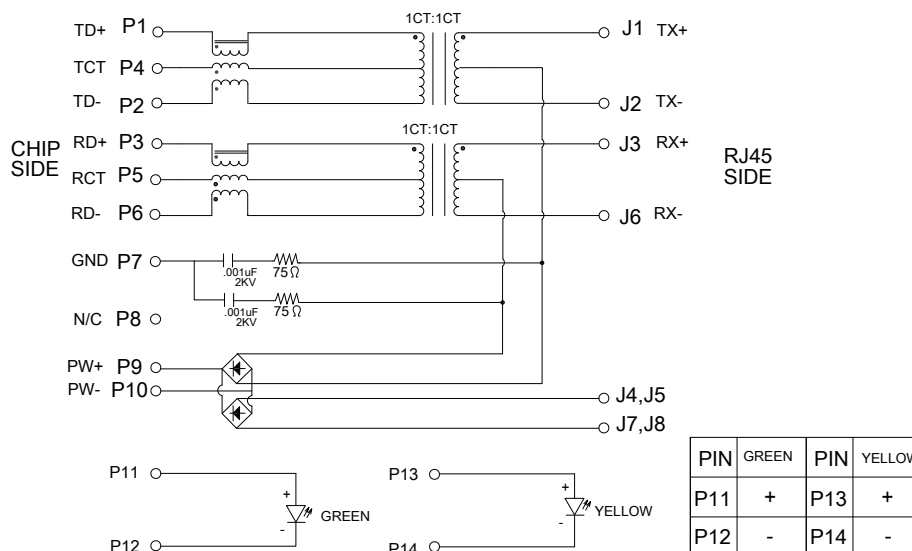
- ⊙ ROHS Compliant
- ⊙ Fully shielded magnetic protect data from internally generated digital noise
- ⊙ Reduces the overall length of the signal path for improved common mode performance
- ⊙ Implements full common mode termination scheme with used and unused twisted pairs
- ⊙ Meets IEEE802.3at specification Power feeding over the signal pairs
- ⊙ Integrates high voltage capacitor to chassis ground
- ⊙ Supports all major transceivers with matched turns ration and complete integration of specified termination
- ⊙ Design for 100base-tx transmission over UTP-5 cable
- ⊙ Operating TEMP. range: -40°C to +85°C
- ⊙ Storage TEMP. range:-40°C to +85°C
- ⊙ Primary OCL inductance: 350μH MIN. at 100KHz/0.1Vrms 8mA DC bias
- ⊙ DC Current / Voltage rating-PSE pins: 350mA @ 57V(Continuous)

Specifications:

Typical Performance Characteristics@ 25°C

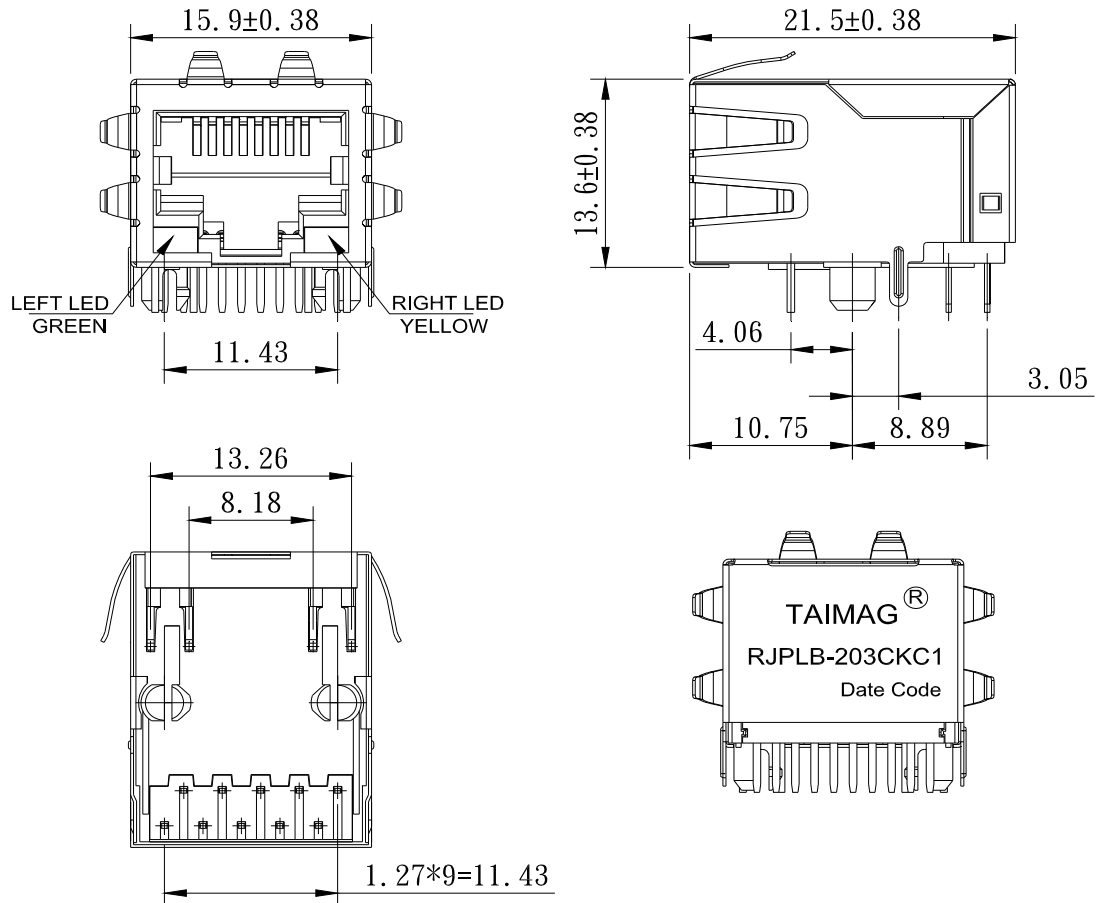
| Insertion Loss MHz (dB MAX) | Return Loss MHz (dB Min) | | | Differential to Common Mode Rejection MHz (dB MIN) | Cross talk MHz (dB MIN) | CMRR MHz (dB MIN) | Isolation Voltage (Vrms min) |
|-----------------------------------|--------------------------------|-------|-------|---|-------------------------------|-------------------------|------------------------------------|
| | 1~30 | 30~60 | 60~80 | | | | |
| 1~100 | 1~30 | 30~60 | 60~80 | 1~100 | 1~100 | 1~100 | 1500 |
| -1.0 | -18 | -16 | -12 | -30 | -30 | -30 | |

Schematic:

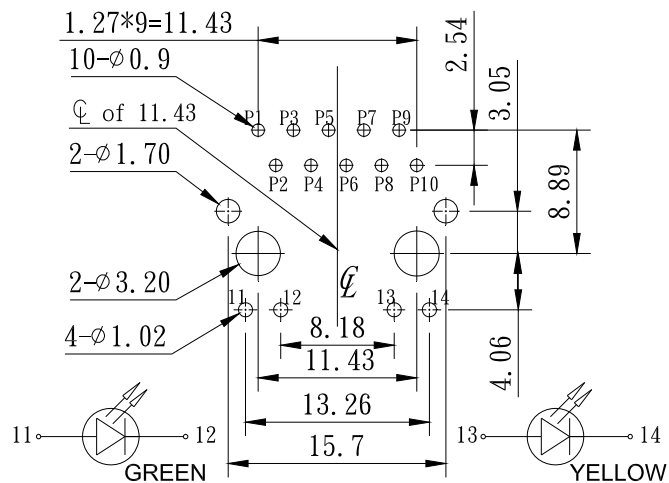


MODEL NO. : RJPLB-203CKC1

Dimension & Marking: mm; Tolerance: ± 0.25 (unless otherwise specified)



PCB Layout: mm; Tolerance: ± 0.10



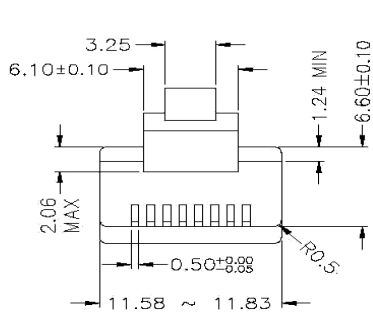
MODEL NO. : RJPLB-203CKC1

Material Requirements:

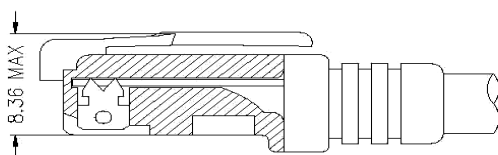
- Connector Material :
 Housing : Nylon 66 Glass fiber filled, UL94V-0, Color Black
 Shielded : 0.20mm Thickness Brass C2680 H.Plating Nickel 20u" min.
 Contact Pin : Plastic: Nylon 66, Glass fiber filled UL94V-0, Color Black.
 Pin: 0.35mm Thickness phosphor bronze C5210 EH.
 Plating: Nickel 30u"~60u" for all and Sn 100u" min. And Gold plating 6u".
 Insert Pin : Plastic: Nylon 66, Glass fiber filled UL94V-0, Color Black.
 Pin: 0.35mm Thickness SUS430.
 Plating: Sn 100u" min. All over 30u"~60u" Nickel.
- Pin not electrically connected maybe omitted see electrical drawing for omitted pins
- RJ45 cavities conform to FCC rules and regulation PART 68
- The part is recommended for wave soldering process peak soldering temperature is 260°C max. , 10S max.
- LED:

| LED Specification | | | | |
|-------------------|------------|-----------------|-----------------|------|
| Standard LED | Wavelength | Forward Current | Forward V (max) | TYP |
| Green | 565nm | 20mA | 2.5V | 2.2V |
| Yellow | 585nm | 20mA | 2.5V | 2.2V |

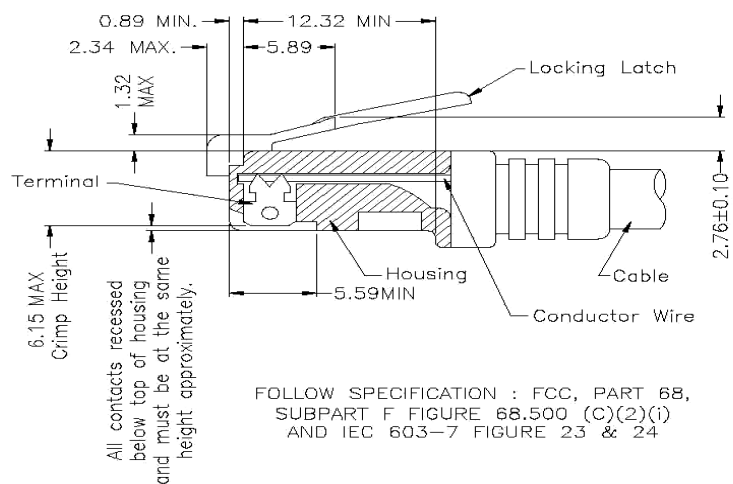
RJ Plug Specification :



- * There must be no damage to housing or locking latch. There must be no nicks or cuts in cable.
- * Durability : 750 cycles generally



FOLLOW SPECIFICATION : FCC, PART 68, SUBPART F FIGURE 68.500 (C)(2)(ii)



FOLLOW SPECIFICATION : FCC, PART 68, SUBPART F FIGURE 68.500 (C)(2)(i) AND IEC 603-7 FIGURE 23 & 24

STANDARD MODULAR PLUG ASSEMBLY

MODEL NO. : RJPLB-203CKC1

Packing:

1. Package : 150 pcs / tray
2. Carton : 1500 pcs / 10 trays

Order Information:

