

Single 10/100 BASE-TX Filtered FOR POWER OVER ETHERNET MAGNETICS Connector Module MODEL NO. : RJP-203CKA1

Feature :

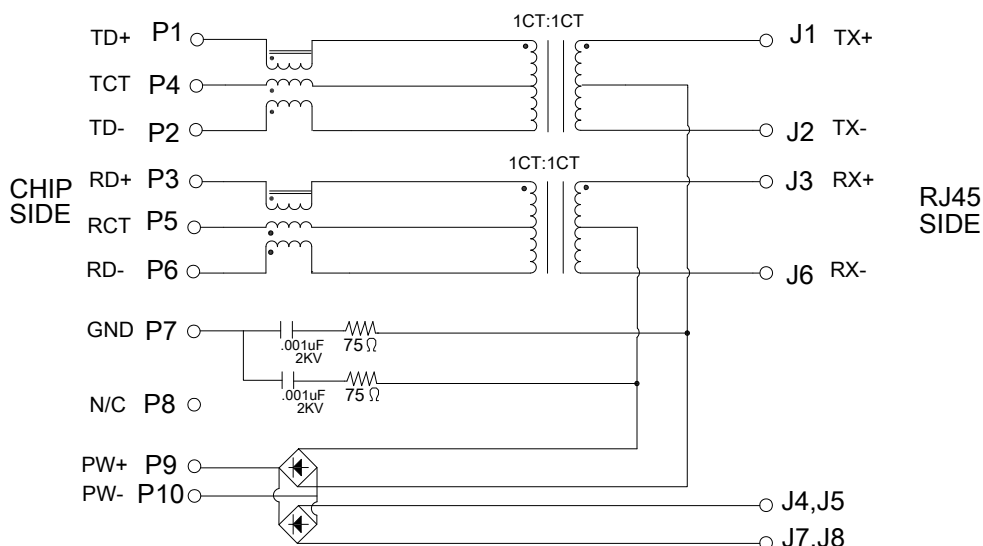
- ⊙ ROHS Compliant
- ⊙ Fully shielded magnetic protect data from internally generated digital noise
- ⊙ Reduces the overall length of the signal path for improved common mode performance
- ⊙ Implements full common mode termination scheme with used and unused twisted pairs
- ⊙ Meets IEEE802.3at specification Power feeding over the signal pairs
- ⊙ Integrates high voltage capacitor to chassis ground
- ⊙ Supports all major transceivers with matched turns ration and complete integration of specified termination
- ⊙ Design for 100base-tx transmission over UTP-5 cable
- ⊙ Operating TEMP. range: -40°C to +85°C
- ⊙ Storage TEMP. range:-40°C to +85°C
- ⊙ Primary OCL inductance: 350μH MIN. at 100KHz/0.1Vrms 8mA DC bias
- ⊙ DC Current / Voltage rating-PSE pins: 350mA @ 57V(Continuous)

Specifications:

Typical Performance Characteristics@ 25°C

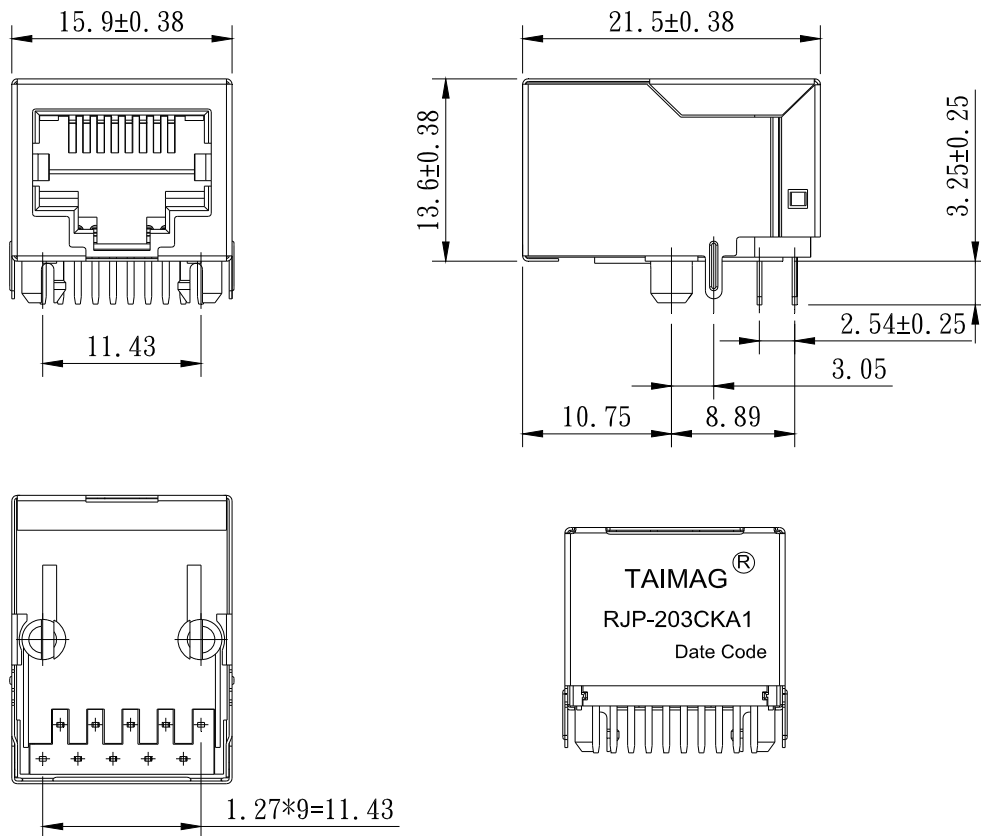
Insertion Loss MHz (dB MAX)	Return Loss MHz (dB Min)			Differential to Common Mode Rejection MHz (dB MIN)	Cross talk MHz (dB MIN)	CMRR MHz (dB MIN)	Isolation Voltage (Vrms min)
	1~30	30~60	60~80				
1~100	-18	-16	-12	1~100	1~100	1~100	1500
-1.0	-18	-16	-12	-30	-30	-30	

Schematic:

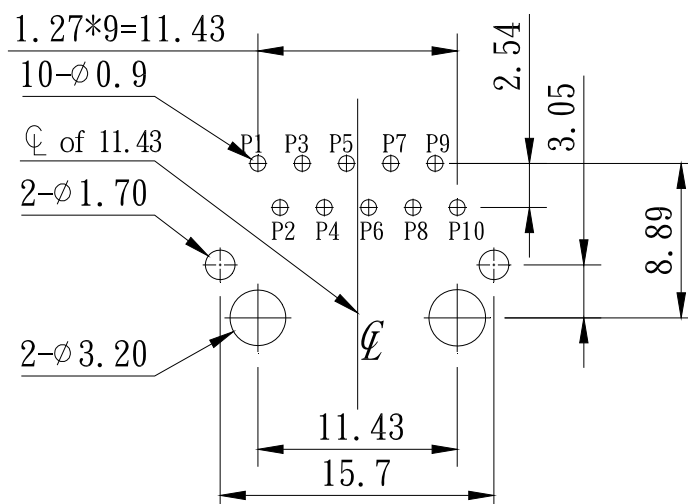


MODEL NO. : RJP-203CKA1

Dimension & Marking: mm; Tolerance: ± 0.25 (unless otherwise specified)



PCB Layout: mm; Tolerance: ± 0.10

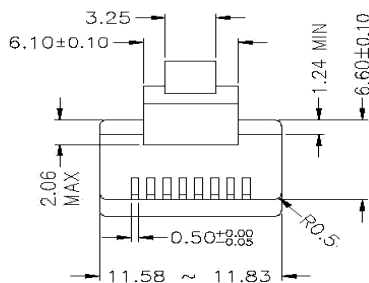


MODEL NO. : RJP-203CKA1

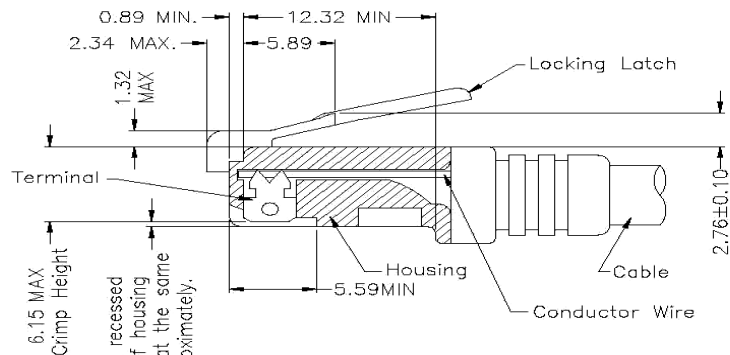
Material Requirements:

- Connector Material :
 - Housing : Nylon 66 Glass fiber filled, UL94V-0, Color Black
 - Shielded : 0.20mm Thickness Brass C2680 H.Plating Nickel 20u" min.
 - Contact Pin : Plastic: Nylon 66, Glass fiber filled UL94V-0, Color Black.
 - Pin: 0.35mm Thickness phosphor bronze C5210 EH.
 - Plating: Nickel 30u"~60u" for all and Sn 100u" min. And Gold plating 6u".
 - Insert Pin : Plastic: Nylon 66, Glass fiber filled UL94V-0, Color Black.
 - Pin: 0.35mm Thickness SUS430.
 - Plating: Sn 100u" min. All over 30u"~60u" Nickel.
- Pin not electrically connected maybe omitted see electrical drawing for omitted pins
- RJ45 cavities conform to FCC rules and regulation PART 68
- The part is recommended for wave soldering process peak soldering temperature is 260°C max. , 10S max.

RJ Plug Specification :

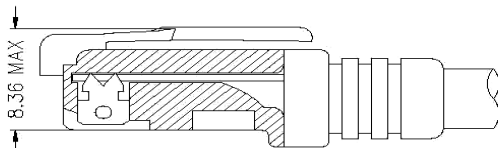


- * There must be no damage to housing or locking latch. There must be no nicks or cuts in cable.
- * Durability : 750 cycles generally



All contacts recessed below top of housing and must be at the same height approximately.

FOLLOW SPECIFICATION : FCC, PART 68, SUBPART F FIGURE 68.500 (C)(2)(i) AND IEC 603-7 FIGURE 23 & 24



FOLLOW SPECIFICATION : FCC, PART 68, SUBPART F FIGURE 68.500 (C)(2)(ii)

STANDARD MODULAR PLUG ASSEMBLY

MODEL NO. : RJP-203CKA1

Packing:

1. Package : 150 pcs / tray
2. Carton : 1500 pcs / 10 trays

Order Information:

