

Single 10/100/1000 BASE-TX Filtered Connector Module MODEL NO. :RJLBG-201YC1

Feature :

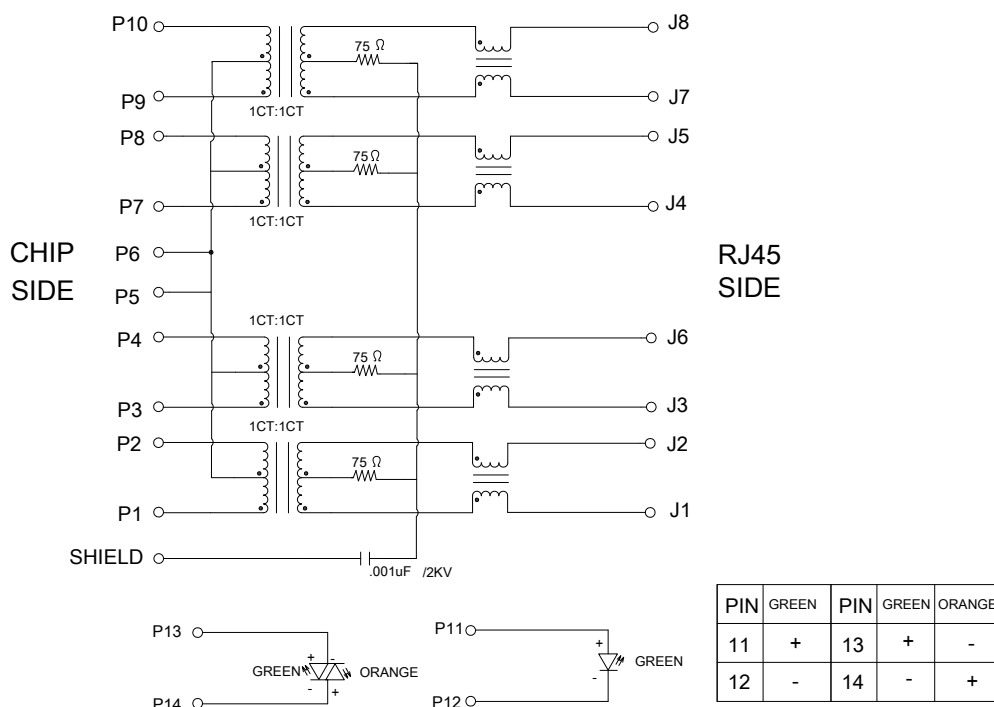
- ⊙ ROHS Compliant
- ⊙ Fully shielded magnetics protect data from internally generated digital noise
- ⊙ Reduces the overall length of the signal path for improved common mode performance
- ⊙ Implements full common mode termination scheme with used and unused twisted pairs
- ⊙ Meets IEEE802.3 Baseline Wander Compensation specification
- ⊙ Integrates high voltage capacitor to chassis ground
- ⊙ Supports all major transceivers with matched turns ration and complete integration of specified termination
- ⊙ Design for 1000base-tx transmission over UTP-5 cable
- ⊙ Operating TEMP. range: -40°C to +85°C
- ⊙ Storage TEMP. range:-40°C to +85°C
- ⊙ Primary OCL inductance: 350μH MIN. at 100KHz/0.1Vrms 8mA DC bias

Specifications:

Typical Performance Characteristics @ 25°C

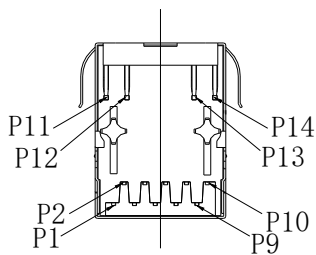
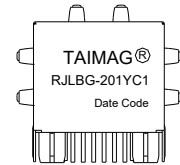
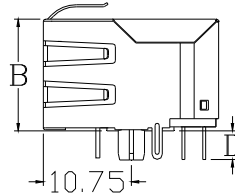
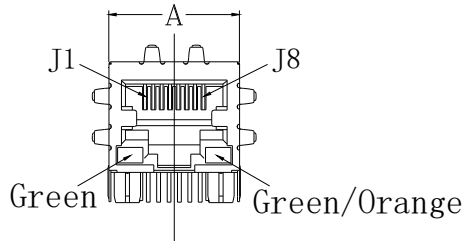
Insertion Loss MHz (dB Max)		Return Loss MHz (dB Min @100Ω)				Common to Common Mode Attenuation MHz (dB Min)	Cross talk MHz (dB Min)	Isolation Voltage (VDC)
1~100	100~125	1~40	40~60	60~80	80~100	1~100	1~100	2250
-1.0	-1.2	-16	-12	-10	-8	-30	-30	

Schematic:



MODEL NO. :RJLBG-201YC1

Dimension & Marking :mm; TOLERANCE: ± 0.25 mm (Unless otherwise specified)



UNIT : mm / inch

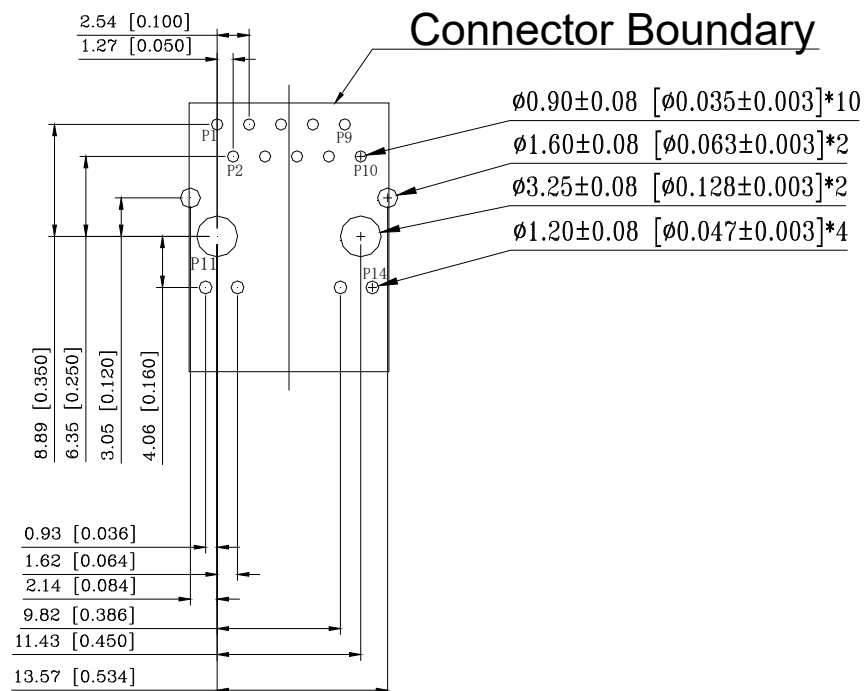
A = 15.90 / 0.626

B = 13.63 / 0.537

C = 21.35 / 0.841

D = 3.50 / 0.126

PCB Layout: mm; TOLERANCE: ± 0.10 mm



Plug-in side

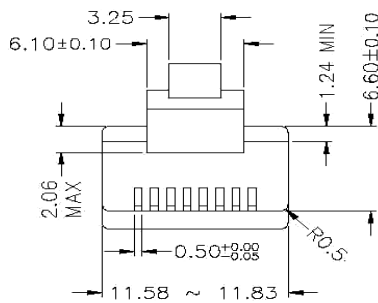
MODEL NO. :RJLBG-201YC1

Material :

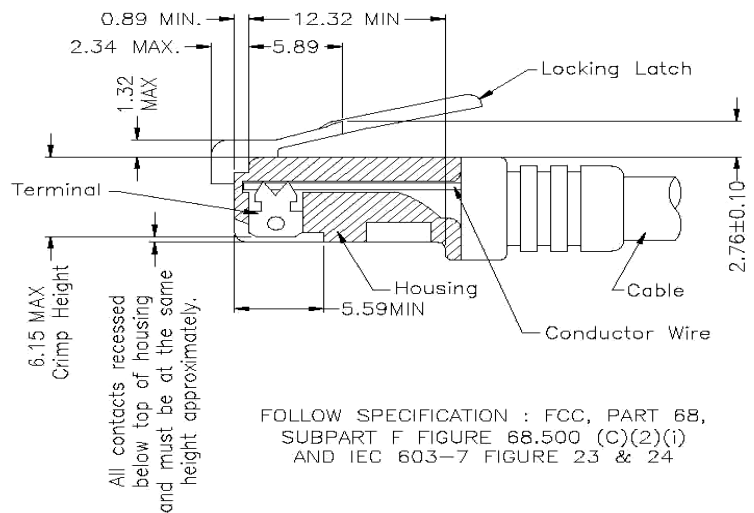
1. Connector Material :
 - Housing : LCP Black UL94V-0
 - Shield : Brass
 - Shield Plating : Nickel
 - Contact : Phosphor Bronze
 - Contact Plating : Selective gold , 6 micro-inches min in contact area
2. Pin not electrically connected maybe omitted see electrical drawing for omitted pins
3. RJ45 cavities conform to FCC rules and regulation PART 68
4. The part is recommended for wave soldering process peak soldering temperature is 260°C max , 10S max.
5. LED:

LED Specification				
Standard LED	Wavelength	Forward Current	Forward V (max)	TYP
Green	565nm	20mA	2.4V	2.2V
Yellow	590nm	20mA	2.5V	2.0V

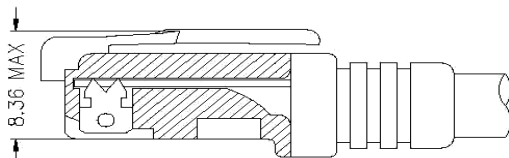
RJ Plug Specification :



- * There must be no damage to housing or locking latch. There must be no nicks or cuts in cable.
- * Durability : 750 cycles generally



FOLLOW SPECIFICATION : FCC, PART 68, SUBPART F FIGURE 68.500 (C)(2)(i) AND IEC 603-7 FIGURE 23 & 24



STANDARD MODULAR PLUG ASSEMBLY

FOLLOW SPECIFICATION : FCC, PART 68, SUBPART F FIGURE 68.500 (C)(2)(ii)

MODEL NO. :RJLBG-201YC1

Packing:

1. Package : 50 pcs / tray
2. Carton : 1200 pcs / 24 trays

ORDER INFORMATION:

