

Single 10/100 BASE-TX Filtered Connector Integrated LED Support Auto MDIX MODEL NO. : RJLBC-060YC1

Feature :

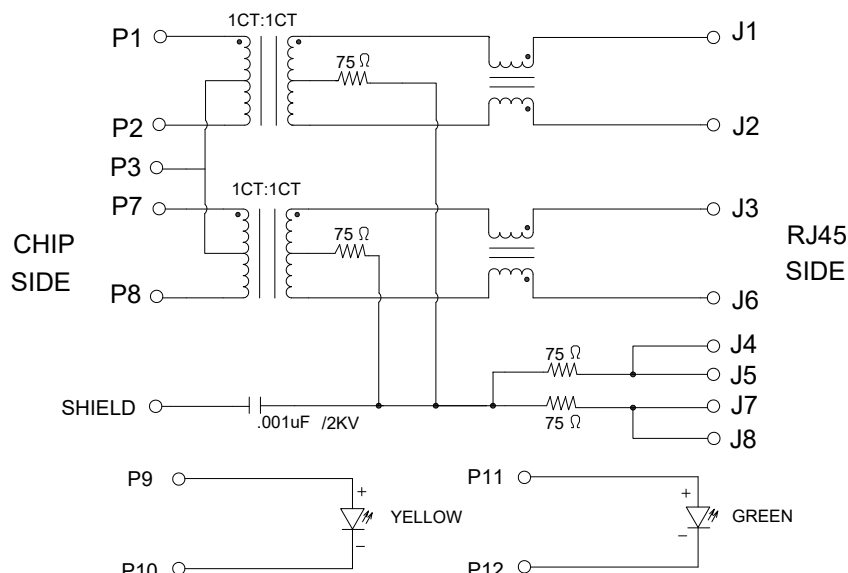
- ⊙ RoHS Compliant
- ⊙ Fully shielded magnetic protect data from internally generated digital noise
- ⊙ Reduces the overall length of the signal path for improved common mode performance
- ⊙ Implements full common mode termination scheme with used and unused twisted pairs
- ⊙ Meets IEEE802.3 Baseline Wander Compensation specification
- ⊙ Integrates high voltage capacitor to chassis ground
- ⊙ Supports all major transceivers with matched turns ration and complete integration of specified termination
- ⊙ Design for 100base-tx transmission over UTP-5 cable
- ⊙ Operating TEMP. range: -40°C to + 85°C
- ⊙ Storage TEMP. range: -40°C to + 85°C
- ⊙ Primary OCL inductance: 350μH MIN. at 100KHz/0.1Vrms with 8mA DC bias
- ⊙ With the LED lamp.

Specification:

Typical Performance Characteristics @25°C

Insertion Loss MHz (dB MAX)	Return Loss MHz (dB Min @100Ω)			Differential to Common Mode Rejection MHz (dB MIN)	Cross talk MHz (dB MIN)	Isolation Voltage (VAC)
	1~30	30~60	60~80			
1~100	1~30	30~60	60~80	1~100	1~100	1500
-1.2	-16	-12	-10	-30	-30	

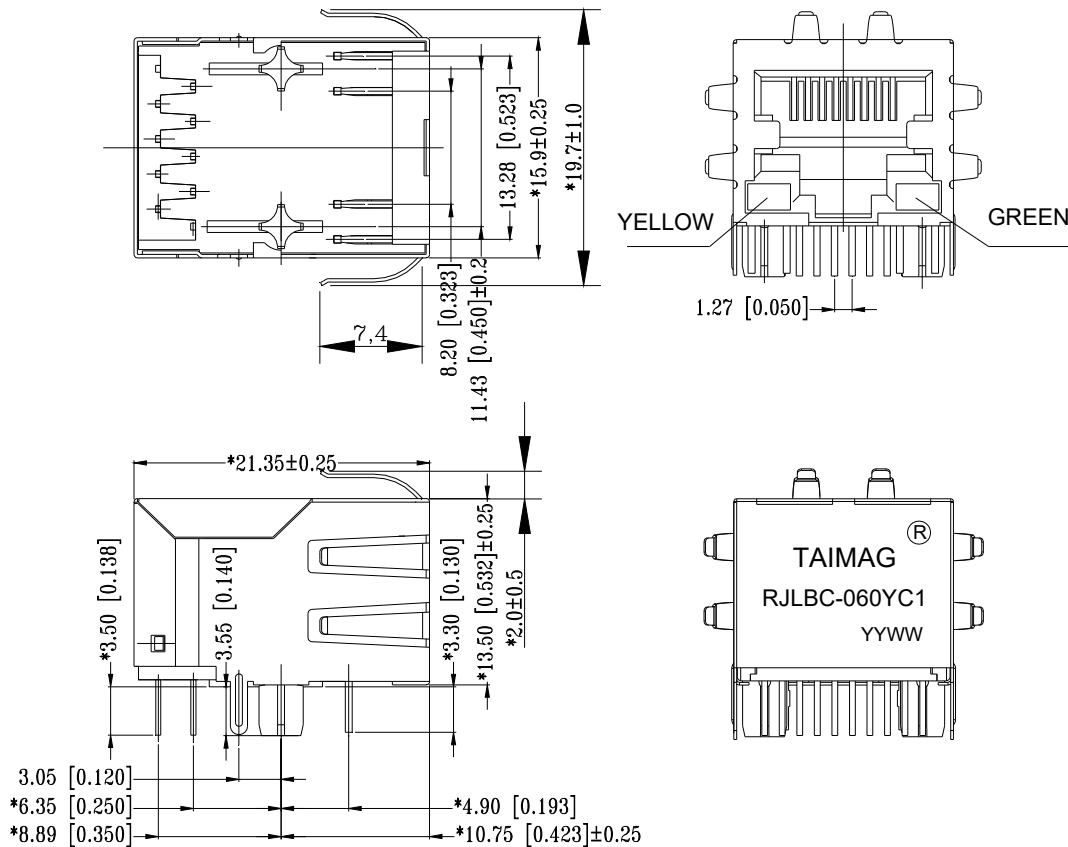
Schematic:



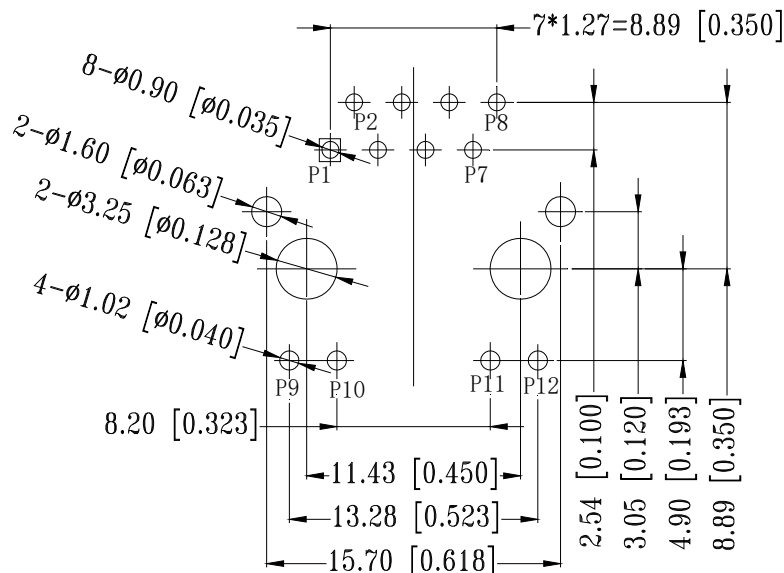
PIN	YELLOW	PIN	GREEN
P9	+	P11	+
P10	-	P12	-

MODEL NO. : RJLBC-060YC1

Dimension & Marking: mm;Tolerance:±0.25mm (unless otherwise specified)



PCB Layout: mm;Tolerance:±0.10mm



MODEL NO. : RJLBC-060YC1

Material Requirements:

1. Connector Material :

Housing : LCP Black UL94V-0

Inserter : LCP Black UL94V-0

Shield : Brass

Shield Plating : Nickel

Contact : Cooper Alloy

Contact Plating : Selective gold , 6 micro-inches min in contact area

2. Pin not electrically connected maybe omitted see electrical drawing for omitted pins

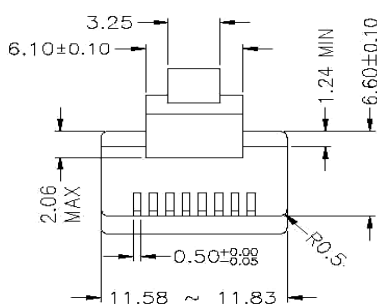
3. RJ45 cavities conform to FCC rules and regulation PART 68

4. The part is recommended for wave soldering process peak soldering temperature is 260°C max , 10S max

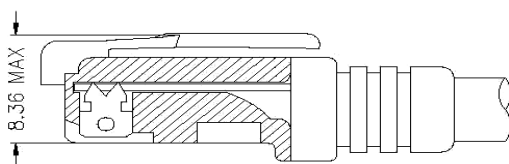
5. LED:

LED Specification				
Standard LED	Wavelength	Forward Current	Forward V (max)	TYP
Green	565nm	20 mA	2.4V	2.2V
Yellow	590nm	20mA	2.5V	2.1V

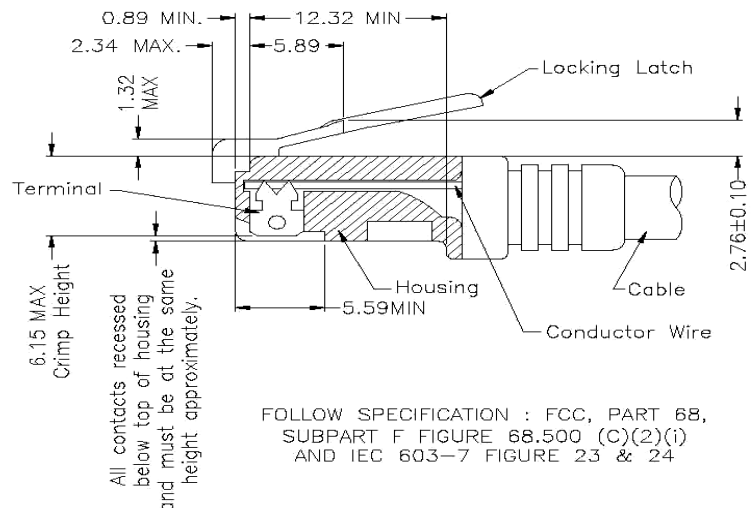
RJ Plug Specification :



- * There must be no damage to housing or locking latch. There must be no nicks or cuts in cable.
- * Durability : 750 cycles generally



FOLLOW SPECIFICATION : FCC, PART 68, SUBPART F
FIGURE 68.500 (C)(2)(ii)



FOLLOW SPECIFICATION : FCC, PART 68,
SUBPART F FIGURE 68.500 (C)(2)(i)
AND IEC 603-7 FIGURE 23 & 24

STANDARD MODULAR PLUG ASSEMBLY



DATE : 2021/04/09 (REV:A1)

MODEL NO. : RJLBC-060YC1

Packing:

- 1. Package : 50 pcs / tray
- 2. Carton : 1200 pcs / 24 trays

Order Information:

