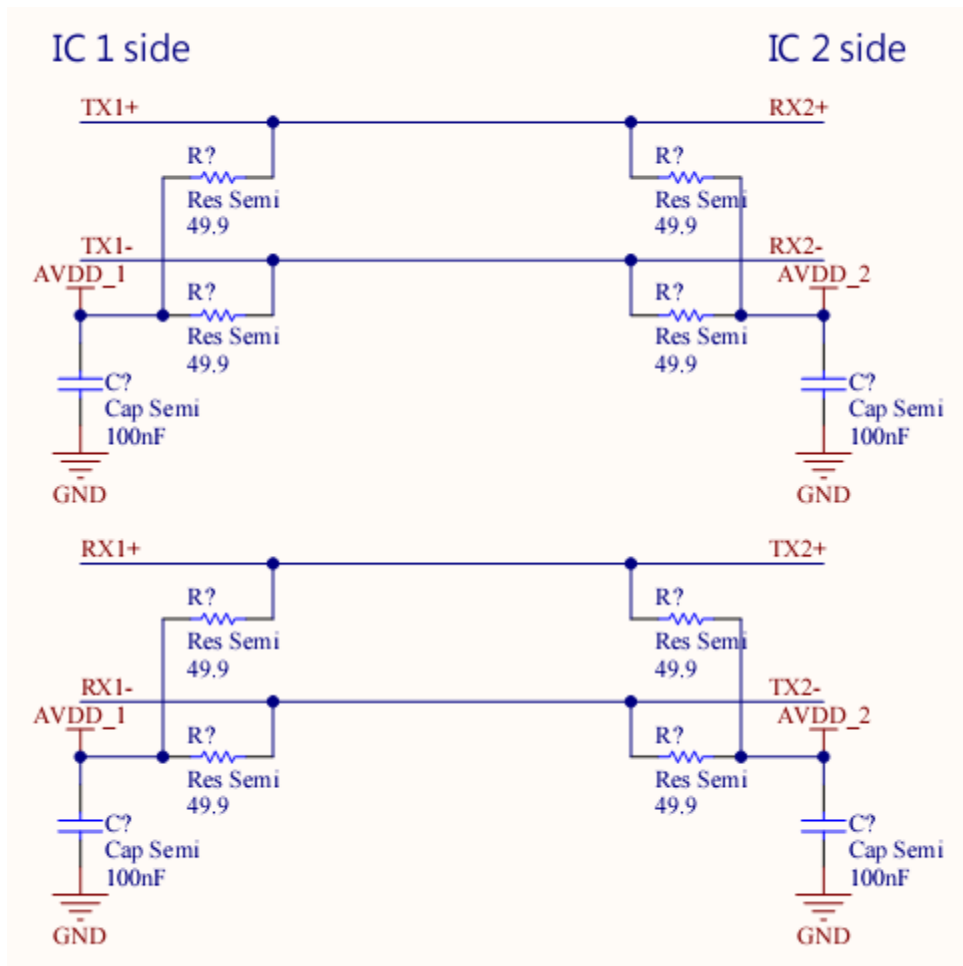


The method to connect 2 Davicom devices without transformers

IC 1	IC 2	Reference Circuit	AVDD_1	AVDD_2
DM9000A	DM9000A	1	2.5V	2.5V
DM9000A	DM9000B	2	2.5V	1.8V
DM9000B	DM9000B	1	1.8V	1.8V
DM9161A	DM9161A	1	2.5V	2.5V
DM9161A	DM9161B	2	2.5V	1.8V
DM9161B	DM9161B	1	1.8V	1.8V

Reference Circuit 1



Reference Circuit 2

